

ARREX

**LIGHTING ARRESTERS 25000A CLASS
FOR 3-WIRE AC POWER SUPPLIES**

**MODEL
SH-332**

MODEL

SH-332 (at 3-PHASE 3-WIRE 200VAC)
(at 1-PHASE 3-WIRE 100V/200VAC)

COMMON SPECIFICATIONS

Construction : Wall mount
Housing material : Steel

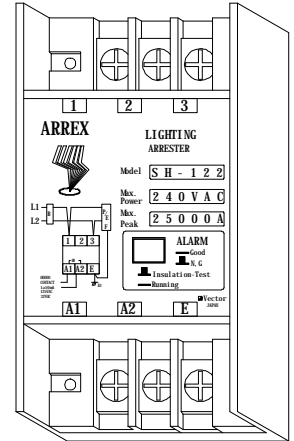
INSTALLATION

Operating temperature : -10 to +55°C
Operating humidity : 90%RH(non-condensing)
Mounting : WALL
Size : W68 X H72 X D120
Weight : 850g

SPECIFICATIONS

PARTICULAR		DATA
Model		SH-332
Discharge Voltage	btwn lines	≧423V
	btwn lines & ground	≧387V
Max. surge Voltage (8x20 μ s)	btwn lines	≧775V
	btwn lines & ground	≧710V
Discharge Current Capacity		25000A(8x20 μ s)
Maximum Leakage Current	btwn lines	≧1mA (at 423V)
	btwn lines & ground	≧1mA (at 423V)
Response Time		≧0.1 μ sec
Max. Load Current		≧30A
Alarm output A Serial Load Capacity		200V 1A AC/DC When notify time is open

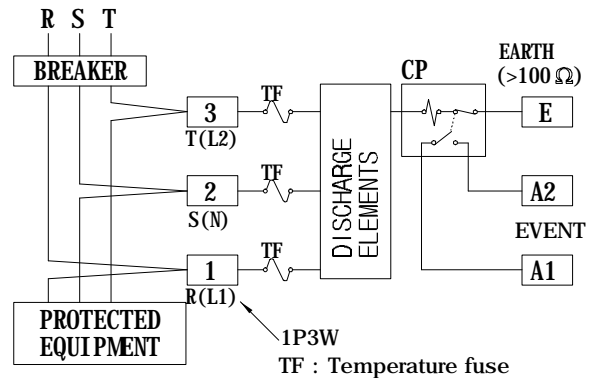
The Vector Lightning Arrester Model SH-332 is designed specifically for medium sized power requirements. Control panels and instrumentation are protected from induced surges by the SH-332. Telemetering systems and computer will benefit from this protection.



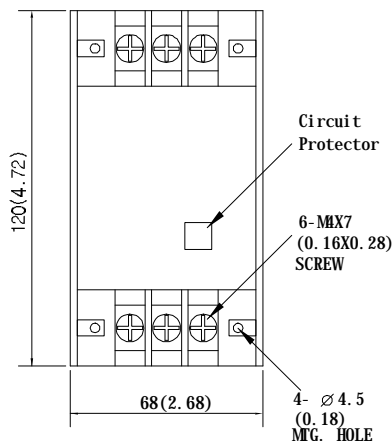
DESCRIPTIONS

- Compact and light-weight
- Lightning surges are absorbed to a large extent and response time is very fast.
- A temperature fuse is added to each circuit for added safety.
- The alarm is activated when anything is wrong with the ground loop
- The ground loop can be left open for insulation and puncture tests.

SCHEMATIC CIRCUITRY



DIMENSIONS [Scale : mm (inch)]



FIXTURE SIZE

