

ARREX

LIGHTING ARRESTERS FOR LOW VOLTAGE SIGNAL LINES

MODEL
SK-12

TYPICAL APPLICATIONS

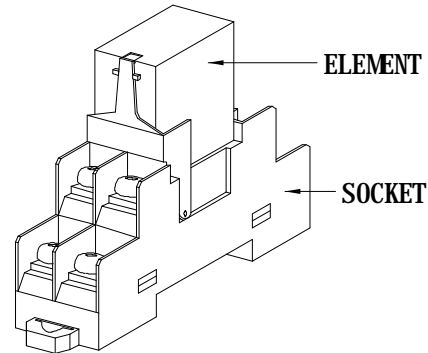
- † THERMOCOUPLES
- † 0-10V DC SIGNALS

COMMON SPECIFICATIONS

Construction : plug-in
Housing material : plastic (black)

INSTALLATION

Operating temperature : -10 to +60°C
Operating humidity : 90%RH(non-condensing)
Mounting : WALL or DIN rail
Size : W19.5 X H75.5 X D54
Weight : 50g



The Vector lightning Arrester Model SK-12 is designed specifically for thermocouple circuits. Lightning surges entering the temperature transmitter or controller through the thermocouple and/or thermocouple extension wire will be absorbed by the SK-12, thus preventing damage to electronic components.

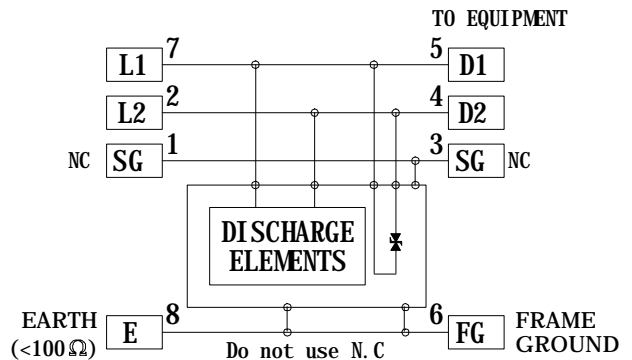
SPECIFICATIONS

PARTICULAR		DATA
Model		SK-12
Discharge Voltage	btwn lines 4-5	≧ 16V
	btwn lines & ground	≧ 25 (at 8VDC)
Maximum Leakage Current	btwn lines & ground	≧ 1mA (at 135VDC)
	btwn lines	≧ 34V (8x20%)
Max. surge Voltage	btwn lines & ground	≧ 250V (8x20%)
	btwn lines	≧ 3500A (8x20%)
Discharge Current Capacity		3500A (8x20%)
Response Time	btwn lines	< 0.001nsec
	btwn lines & ground	< 0.1 sec
Internal Series Resistance		Approx. 0.1Ω (including return)
Max. Load Current		100mA

DESCRIPTIONS

- † DIN rail or wall mount
- † Plug-in structure
- † Compact and light-weight
- † No interruption of transmission when unplugging the arrester element
- † Lightning surges are absorbed to a large extent. The SK-12 has responsiveness

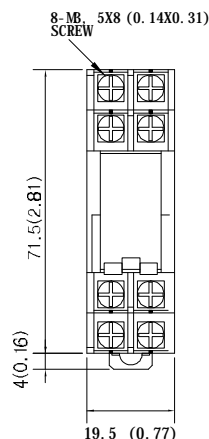
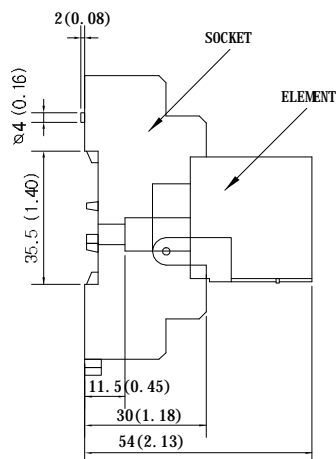
SCHEMATIC CIRCUITRY



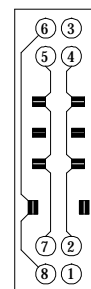
SOCKET

Model : P2RF-08-S

DIMENSIONS [Scale : mm(inch)]



TERMINAL TOP VIEW



FIXTURE SIZE ∅ 4.2(0.16) HOLE

