

ARREX

LIGHTING ARRESTERS FOR 3-WIRE SIGNAL GENERATOR

MODEL
SK-12W
SK-24W

TYPICAL APPLICATIONS

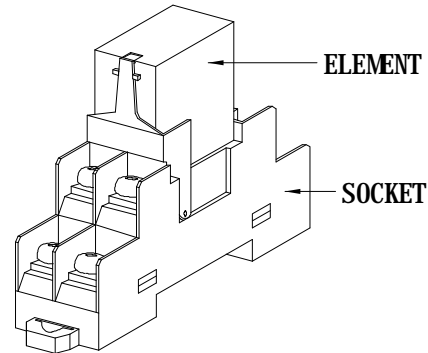
- † SK-12W (12VDC SUPPLY USE)
- † SK-24W (24VDC SUPPLY USE)

COMMON SPECIFICATIONS

Construction : plug-in
Housing material : plastic (black)

INSTALLATION

Operating temperature : -10 to +60°C
Operating humidity : 90%RH(non-condensing)
Mounting : WALL or DIN rail
Size : W19.5 X H75.5 X D54
Weight : 50g



The Vector Lightning Arrester Model SK-12W/SK-24W is designed specifically for 4-20mA DC/0-10VDC/Pulse signal with supply lines. It absorbs lightning surges transmitted in the signal and supply wiring. This insures that potential remains at a low voltage, thus preventing damage to electronic components.

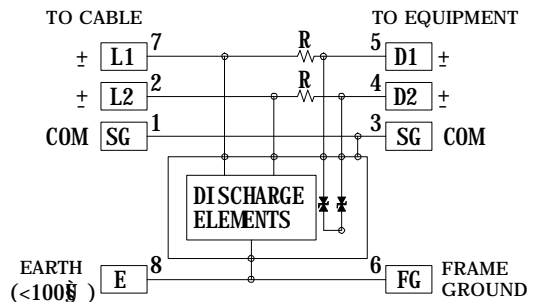
SPECIFICATIONS

PARTICULAR		DATA	
Model		SK-12W	SK-24W
Discharge Voltage	btwn L-SG	$\geq 20V$	$\geq 35V$
	btwn L or SG-E	$\leq 25V$ at 12V	$\leq 25V$ at 24V
Maximum Leakage Current	btwn L or SG-E	$\leq 1mA$ at 135VDC	
	btwn L-SG	$\leq 43V$	$\leq 77V$
Max. surge Voltage	btwn L or SG-E	$\leq 250V$ (8x20%)	
	btwn L-SG	$\leq 43V$	$\leq 77V$
Discharge Current Capacity		3500A(8x20%)	
Response Time	btwn lines	< 0.001nsec	
	btwn lines & ground	< 0.1µ sec	
Internal Series Resistance		Approx. 30 (One-circuit)	
Max. Load Current		100mA	

DESCRIPTIONS

- † DIN rail or wall mount
- † Plug-in structure
- † Compact and light-weight
- † No interruption of transmission when unplugging the arrester element
- † Lightning surges are absorbed to a large extent. The SK-12W/24W has high responsiveness

SCHEMATIC CIRCUITRY



SOCKET

Model : P2RF-08-F

