

General Specifications

4 ISOLATED OUTPUTS POTENTIOMETER CONVERTER



This instrument is a high accurate converter which receives resistance signal of 3 lines Potentiometer ($100\Omega \sim 100K\Omega$) as input and converts to DC voltage and current signal. It is widely used for float type water level detector, etc and has hardly mutual interference.

Especially, the input & output is separated completely and it is isolated between 4 outputs.

SPECIFICATIONS

ITEMS	DESCRIPTIONS	
INPUT	Potentiometer (from 100Ω to $100K\Omega$)	
OUTPUT	DC Current or DC Voltage Signal	
ACCURACY	$\frac{1}{4}$ 0.1% Max.	
TEMP. COEFFICIENT	$\frac{1}{4}$ 0.015% / $^{\circ}C$	
LINEARITY	$\frac{1}{4}$ 0.02% F.S	
REPEATABILITY	$\frac{1}{4}$ 0.02% F.S	
RESPONSE TIME	Less than 0.5sec (0-90%)	
ADJUSTMENT	Span	50 ~ 100%
	Zero	0 ~ 50%
INSULATION RESISTANCE	Greater than $100M\Omega$ at DC 500V	
DIELECTRIC-STRENGTH	Input-Power	AC1,500V
	Each Outputs	AC1,500V
	Input-Ground	AC1,500V
	1 minute	
POWER SUPPLY	AC110V AC220V $\frac{1}{4}$ 10% 50-60Hz 10VA	
AMBIENT-TEMP	$-5 \sim +55^{\circ}C$ (20~130 μ)	
HUMIDITY	Less than 90% RH (no condensation)	
LINEARIZER	Standard function	
CASE MATERIAL	AL	
COLOR	BLACK	
WEIGHT	About 1.3Kg	
DIMENSION	W90 x H90 x D180mm	
MOUNTING	WALL	
OUTPUT LOAD RESISTANCE	Refer to Attached Technical Sheet.	

ORDERING CODE

MODEL : D M P C -

INPUT SIGNAL
POTENTIOMETER
(Total resistance 100Ω to $100K\Omega$)

OUTPUT 1 —
7 DC 4~20mA
F DC 1~5V
G Others

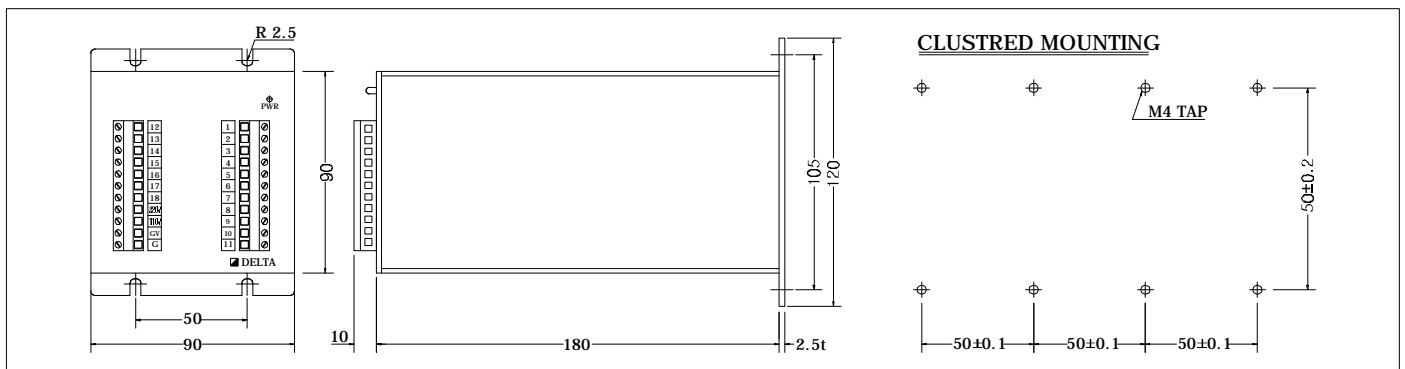
OUTPUT 2 —
7 DC 4~20mA
F DC 1~5V
G Others

OUTPUT 3 —
7 DC 4~20mA
F DC 1~5V
G Others

OUTPUT 4 —
7 DC 4~20mA
F DC 1~5V
G Others

* Please Specify the Input Resistance When you Order.

DIMENSION



SCHEMATIC CIRCUITRY & CONNECTION DIAGRAM

