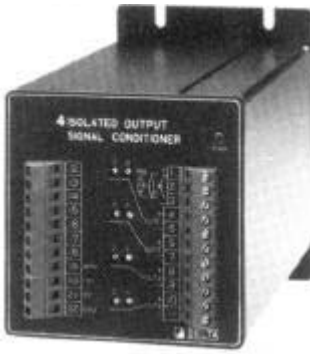


# General Specifications

## 4 CHANNEL POWER DISTRIBUTOR



This instrument is a high accurate converter which provides simultaneously power supply and conversion to all transmitters such as pressure transmitter, flow transmitter, level transmitter, etc. It can use up to 4 transmitters depending on use place and contains overcurrent and over-voltage protection circuit inside.

### SPECIFICATIONS

ITEMS	DESCRIPTIONS
OUTPUT RATING	DC24V (24~28V DC) 22mA Max.
SUPPLY TO XTR	(Ripple : Less than 0.1V p-p)
ACCURACY	¼ 0.1% Max.
TEMP. COEFFICIENT	¼ 0.015% / °C
RESPONSE TIME	Less than 0.5Sec (0~90%)
INSULATION RESISTANCE	Greater than 100MΩ at DC 500V
DIELECTRIC-STRENGTH	Output-Power AC1,500V
	Output-Ground AC1,500V
	1 minute
POWER SUPPLY	AC110V AC220V ¼ 10% 50-60Hz 10VA
AMBIENT-TEMP	-5~+55°C (20~130φ )
HUMIDITY	Less than 90% RH (no condensation)
LINEARLIZER	Standard function
CASE MATERIAL	AL
COLOR	BLACK
WEIGHT	About 1.3Kg
DIMENSION	W90 x H90 x D180mm
MOUNTING	WALL

### ORDERING CODE

MODEL : D M P D -

INPUT  
DC 4~20mA (4ch)

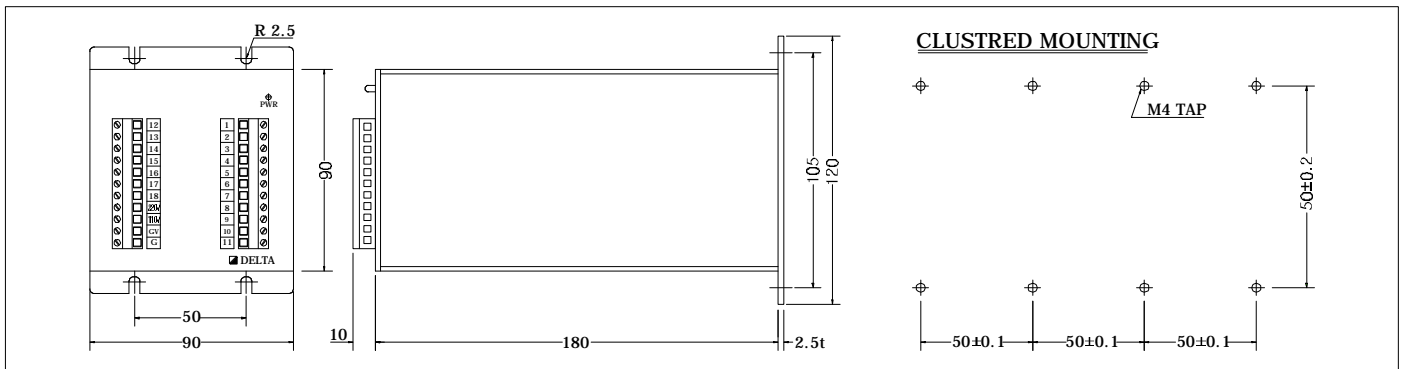
OUTPUT 1  
7 DC 4~20mA  
F DC 1~5V

OUTPUT 2  
7 DC 4~20mA  
F DC 1~5V

OUTPUT 3  
7 DC 4~20mA  
F DC 1~5V

OUTPUT 4  
7 DC 4~20mA  
F DC 1~5V

### DIMENSION



■ SCHEMATIC CIRCUITRY & CONNECTION DIAGRAM

