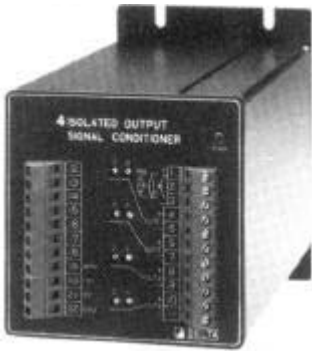


# General Specifications

## 1 CH 4 ISOLATED OUTPUTS POWER DISTRIBUTOR



This instrument is a high accurate converter which provides simultaneously power supply and signal conversion to all transmitters such as pressure transmitter, flow transmitter, level transmitter, etc and contains overcurrent, overvoltage protection circuit inside. It is isolated between signal transmitted from transmitter and output signal of converter, not necessary to use extra isolator when loop constructing.

### SPECIFICATIONS

ITEMS	DESCRIPTIONS
OUTPUT RATING	DC24V (24~28V DC) 22mA Max.
SUPPLY TO XTR	(Ripple : Less than 0.1V p-p)
ACCURACY	¼ 0.1% Max.
TEMP. COEFFICIENT	¼ 0.015% / °C
RESPONSE TIME	Less than 0.5Sec (0~90%)
INSULATION RESISTANCE	Greater than 100MΩ at DC 500V
DIELECTRIC-STRENGTH	Input-Power AC1,500V
	Each Outputs AC1,500V
	Input-Ground AC1,500V
	1 minute
POWER SUPPLY	AC110V AC220V ¼ 10% 50-60Hz 10VA
AMBIENT-TEMP	-5~+55°C (20~130µ )
HUMIDITY	Less than 90% RH (no condensation)
LINEARIZER	Standard function
CASE MATERIAL	AL
COLOR	BLACK
WEIGHT	About 1.3Kg
DIMENSION	W90 x H90 x D180mm
MOUNTING	WALL
OUTPUT	
LOAD RESISTANCE	Refer to Attached Technical Sheet.

### ORDERING CODE

MODEL : D M P S - [ ] [ ] [ ] [ ]

#### INPUT

DC 4~20mA (1ch)

#### OUTPUT 1

7 DC 4~20mA

F DC 1~5V

G Others

#### OUTPUT 2

7 DC 4~20mA

F DC 1~5V

G Others

#### OUTPUT 3

7 DC 4~20mA

F DC 1~5V

G Others

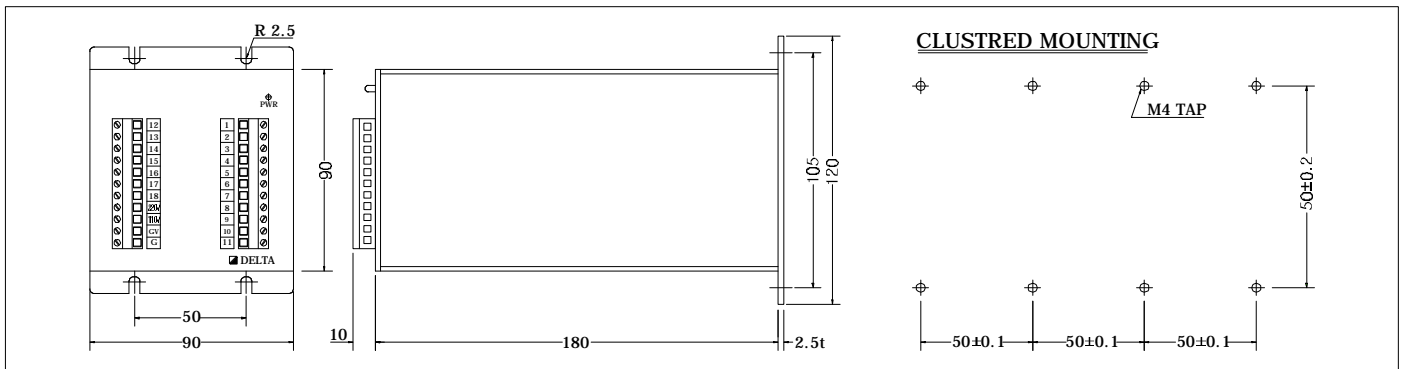
#### OUTPUT 4

7 DC 4~20mA

F DC 1~5V

G Others

### DIMENSION



**SCHEMATIC CIRCUITRY & CONNECTION DIAGRAM**

