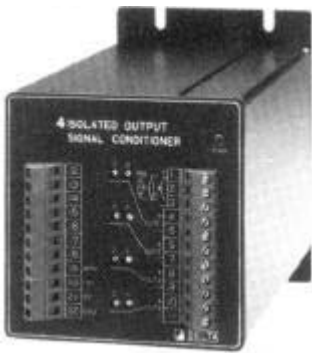


General Specifications

4 ISOLATED OUTPUTS SIGNAL ISOLATOR



This instrument receives DC voltage and current as input signal and provides conversion output in state that the input & output is separated completely. Especially, input & output has built in photo-coupler and power, input & output have built in 3 way isolation circuit separated by transformer.

This is a high accurate converter which is the most compatible to protection of impulse noise, high peak voltage required from isolation with field instrument, computer interface, etc. Especially, it is advantageous to construct loop as that the input & output is separated completely and is isolated between outputs.

SPECIFICATIONS

ITEMS	DESCRIPTIONS
INPUT	DC signal (Current input can be obtained through the application of precise resistor shunt)
OUTPUT	DC Current or DC Voltage Signal
ACCURACY	1/4 0.1% Max.
TEMP. COEFFICIENT	1/4 0.015% / °F
LINEARITY	1/4 0.02% F.S
REPEATABILITY	1/4 0.02% F.S
RESPONSE TIME	Less than 0.5Sec (0-90%)
INSULATION RESISTANCE	Greater than 100MΩ at DC 500V
DIRECTIC-STRENGTH	Input-Power AC1,500V
	Each Outputs AC1,500V
	Input-Ground AC1,500V
	1 minute
POWER SUPPLY	AC110V AC220V 1/4 10% 50-60Hz 10VA
AMBIENT-TEMP	-5~ +55°C (20~ 130ℱ)
HUMIDITY	Less than 90% RH (no condensation)
LINEARIZER	Standard function
CASE MATERIAL	AL
COLOR	BLACK
WEIGHT	About 1.3Kg
DIMENSION	W90 x H90 x D180mm
MOUNTING	WALL
OUTPUT	
LOAD RESISTANCE	Refer to Attached Technical Sheet.

ORDERING CODE

MODEL : D M S I - [] [] [] [] []

INPUT _____
 7 DC 4~20mA
 F DC 1~5V
 G Others

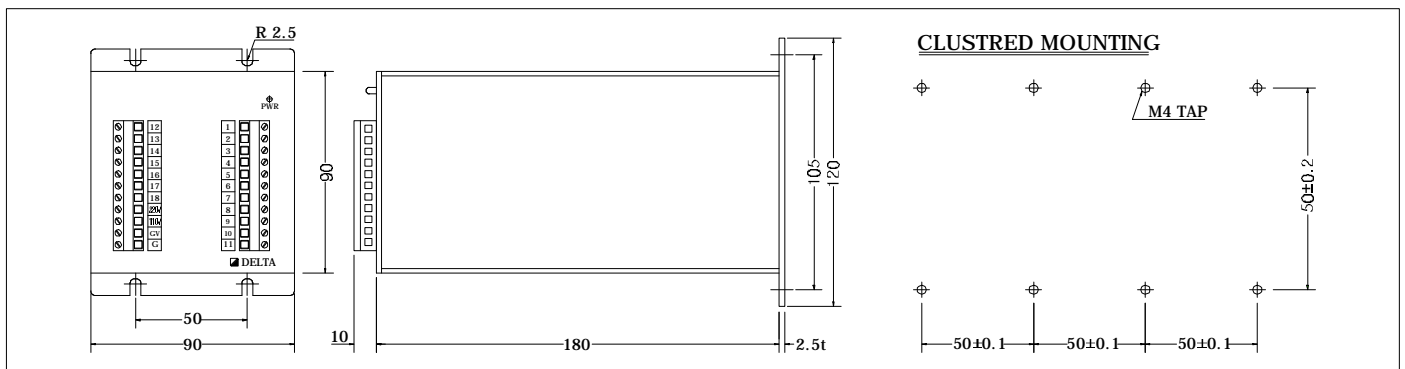
OUTPUT 1 _____
 7 DC 4~20mA
 F DC 1~5V
 G Others

OUTPUT 2 _____
 7 DC 4~20mA
 F DC 1~5V
 G Others

OUTPUT 3 _____
 7 DC 4~20mA
 F DC 1~5V
 G Others

OUTPUT 4 _____
 7 DC 4~20mA
 F DC 1~5V
 G Others

DIMENSION



SCHEMATIC CIRCUITRY & CONNECTION DIAGRAM

