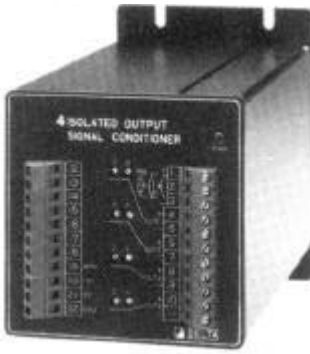


General Specifications

4 ISOLATED OUTPUTS SQUARE ROOT CONVERTER



This is a high accurate converter which linearizes, compensates the square root scale of current output corresponding to flow in combination with pressure flow transmitter (D/P transmitter).

As requiring of user, it is possible to change cut off range of unstable low level flow. Especially, it is advantageous to construct loop as that the input & output is isolated and is isolated completely between 4 outputs.

SPECIFICATIONS

ITEMS	DESCRIPTIONS
INPUT	DC signal (Current input can be obtained through the application of precise resistor shunt)
OUTPUT	DC Current or DC Voltage Signal
ACCURACY	$\frac{1}{4}$ 0.2% of span (Output 0% and 20~100%) $\frac{1}{4}$ 0.3% of span (Output 0% and 10~20%)
TEMP. COEFFICIENT	$\frac{1}{4}$ 0.02% / $^{\circ}$ C (Output 0% and 20~100%)
RESPONSE TIME	Less than 0.5Sec (0-90%)
INSULATION RESISTANCE	Greater than 100M Ω at DC 500V
DIELECTRIC-STRENGTH	Input-Power AC1,500V
	Each Outputs AC1,500V
	Input-Ground AC1,500V
	1 minute
POWER SUPPLY	AC110V AC220V $\frac{1}{4}$ 10% 50-60Hz 10VA
AMBIENT-TEMP	-5~+55 $^{\circ}$ C (20~130 μ)
HUMIDITY	Less than 90% RH (no condensation)
LINEARIZER	Standard function
CASE MATERIAL	AL
COLOR	BLACK
WEIGHT	About 1.3Kg
DIMENSION	W90 x H90 x D180mm
MOUNTING	WALL
OUTPUT	
LOAD RESISTANCE	Refer to Attached Technical Sheet.

ORDERING CODE

MODEL : D M S Q -

INPUT _____
 7 DC 4~20mA
 F DC 1~5V
 G Others

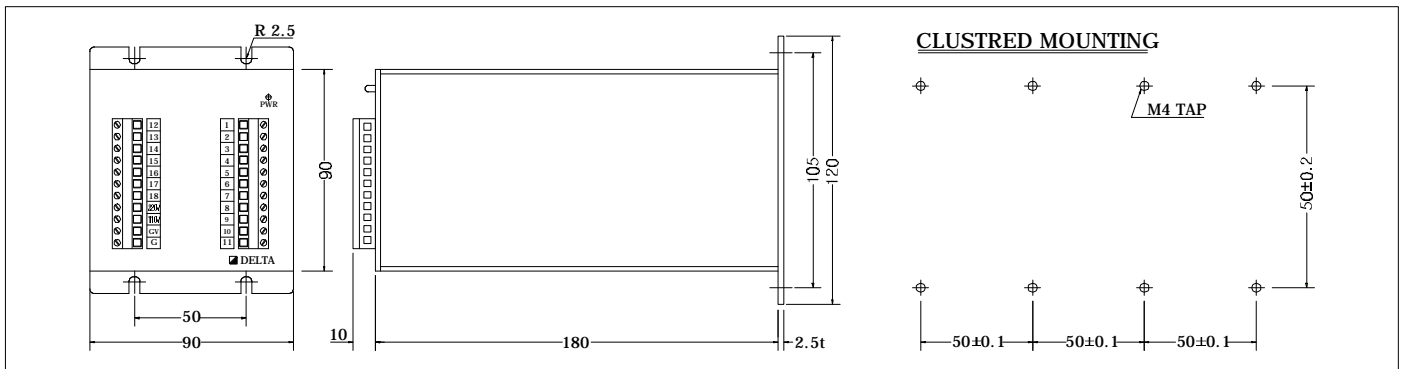
OUTPUT 1 _____
 7 DC 4~20mA
 F DC 1~5V
 G Others

OUTPUT 2 _____
 7 DC 4~20mA
 F DC 1~5V
 G Others

OUTPUT 3 _____
 7 DC 4~20mA
 F DC 1~5V
 G Others

OUTPUT 4 _____
 7 DC 4~20mA
 F DC 1~5V
 G Others

DIMENSION



SCHEMATIC CIRCUITRY & CONNECTION DIAGRAM

