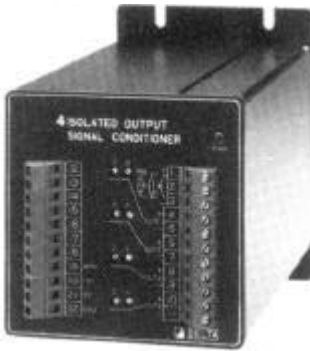


General Specifications

4 ISOLATED OUTPUTS THERMOCOUPLE CONVERTER



This instrument is a high accurate converter which receives signal corresponding to temperature as receiving of input of each kind of T/C and converts to DC voltage and current output signal through temperature compensation and linearizer circuit. Especially, the input & output is separated completely and it is isolated between 4 outputs.

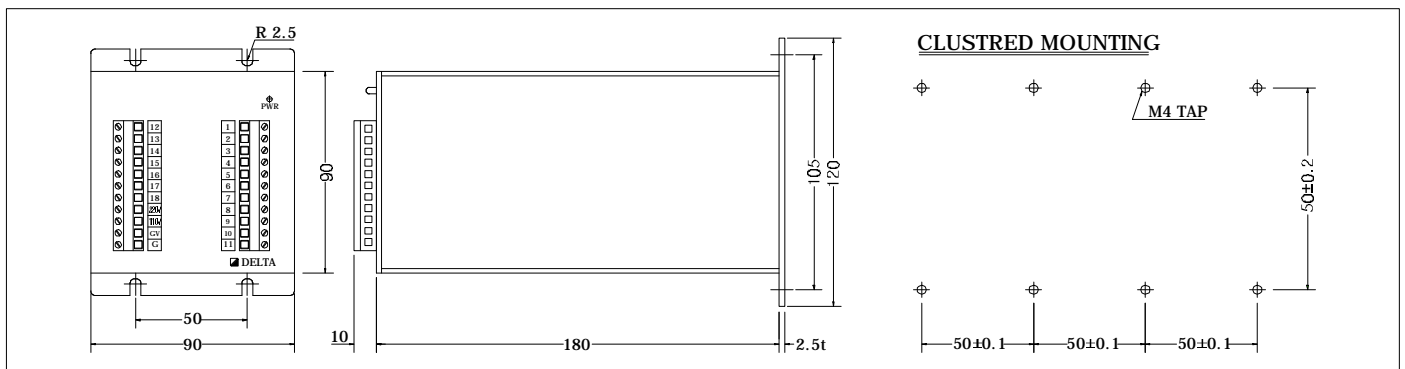
SPECIFICATIONS

ITEMS	DESCRIPTIONS	
INPUT	Thermocouple (K, J, T, R)	
OUTPUT	DC Current or DC Voltage Signal	
ACCURACY	¼ 0.3% Max.	
TEMP. COEFFICIENT	¼ 0.02% / ½	
LINEARITY	¼ 0.1% F.S	
REPEATABILITY	¼ 0.05% F.S	
RESPONSE TIME	Less than 0.5sec (0-90%)	
INPUT RESISTANCE	More than 1MΩ	
INSULATION RESISTANCE	Greater than 100MΩ at DC 500V	
DIELECTRIC-STRENGTH	Input-Power	AC1,500V
	Each Outputs	AC1,500V
	Input-Ground	AC1,500V
	1 minute	
BURN-OUT	Upper Limit	
POWER SUPPLY	AC110V AC220V ¼ 10% 50-60Hz 10VA	
AMBIENT-TEMP	-5~+55°C (20~130μ)	
HUMIDITY	Less than 90% RH (no condensation)	
LINEARIZER	Standard function	
CASE MATERIAL	AL	
COLOR	BLACK	
WEIGHT	About 1.3Kg	
DIMENSION	W90 x H90 x D180mm	
MOUNTING	WALL	
OUTPUT		
LOAD RESISTANCE	Refer to Attached Technical Sheet.	

† STANDARD INPUT RANGE (UNIT : ½)

INPUT	RANGE
K	-50~100, 0~300, 0~400, 0~500, 0~600 0~800, 0~1000, 0~1200
J	0~200, 0~300, 0~400, 0~800
T	-20~80, 0~100, 0~200
R	600~1600

DIMENSION



ORDERING CODE

MODEL : D M T C - [] [] [] [] []

INPUT _____
 1 K(CA)
 2 J(IC)
 3 T(CC)
 4 R

OUTPUT 1 _____
 7 DC 4~20mA
 F DC 1~5V
 G Others

OUTPUT 2 _____
 7 DC 4~20mA
 F DC 1~5V
 G Others

OUTPUT 3 _____
 7 DC 4~20mA
 F DC 1~5V
 G Others

OUTPUT 4 _____
 7 DC 4~20mA
 F DC 1~5V
 G Others

* Please Specify the input range When you Order.

SCHEMATIC CIRCUITRY & CONNECTION DIAGRAM

