



General Information

HT-100F(I)

Liquid Level Transmitter

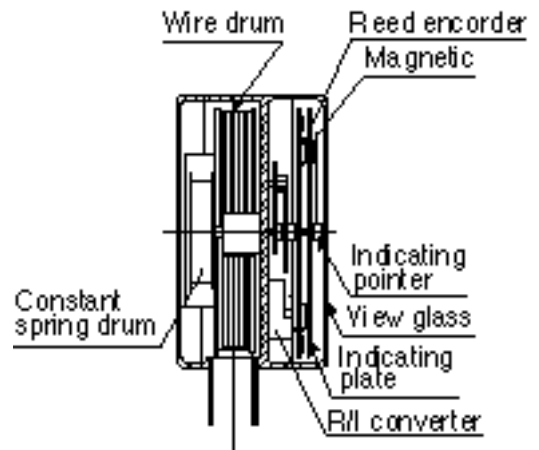


HT-100F Series

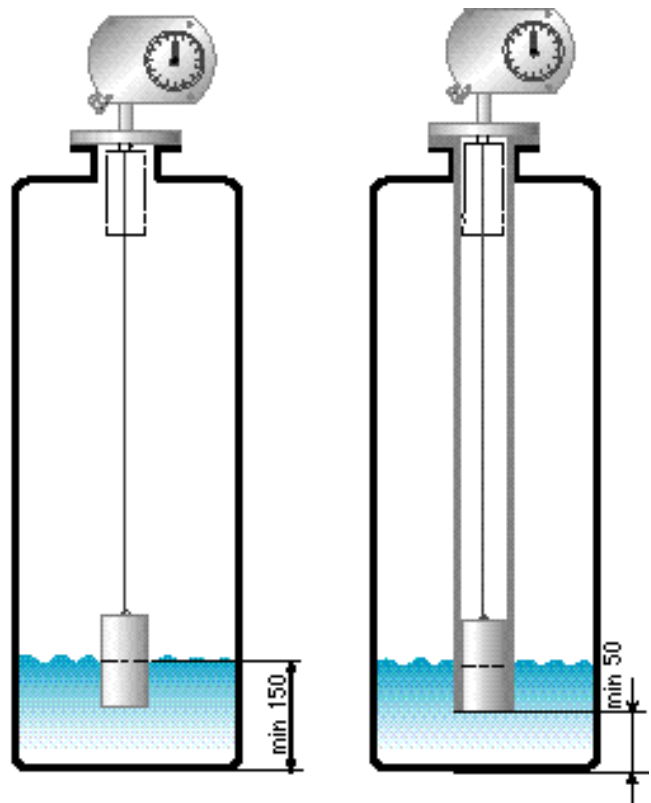
- * 가
- * 가

			DC 4-20 mA
	(IP 54)		SUS 304, SUS 316
	-20...+60		KS 4 " x 10K RF(ANSI, JPI, JIS, DIN 가)
	-15...+80 (Option : max. 150)		
	Max. 0.2 kgf/cm ²		0.8
	DC 24 V		7.5 m

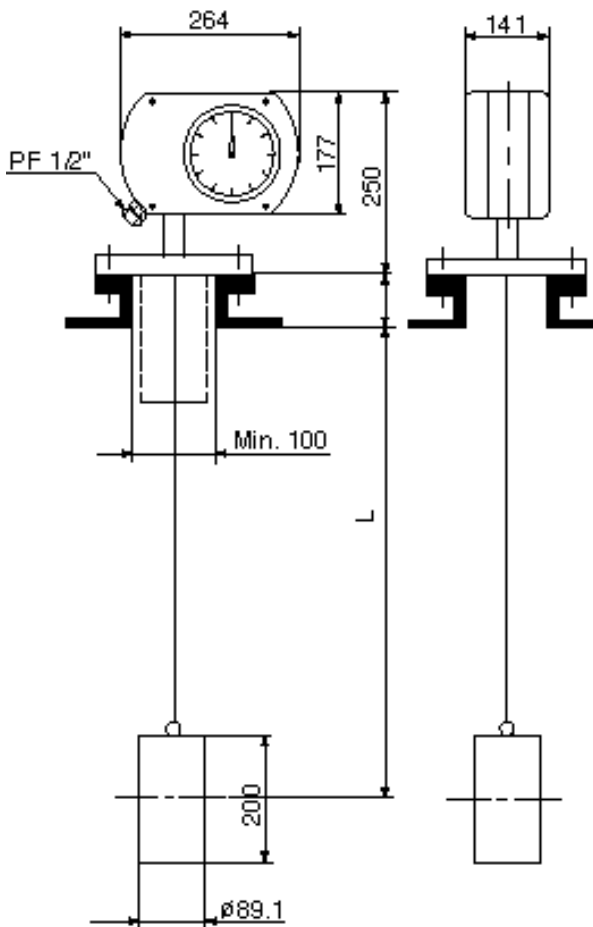
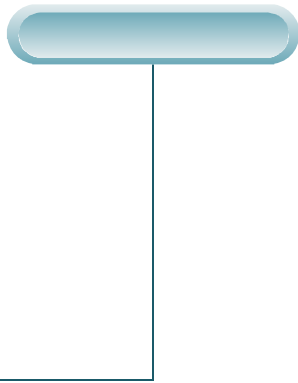
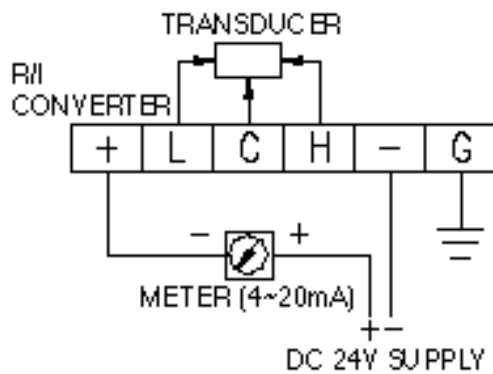
Float
Gauge Head
Measuring Wire가 Constant
Spring Wire
Drum
Float
Wire Drum
Indicator Pointer



Tank top Float
Flange Flange Bolt
(
Gasket Flange
).
, Tank
Protection tube



- 1) (2C x 1.25)
- 2)
- 3)



Dimension

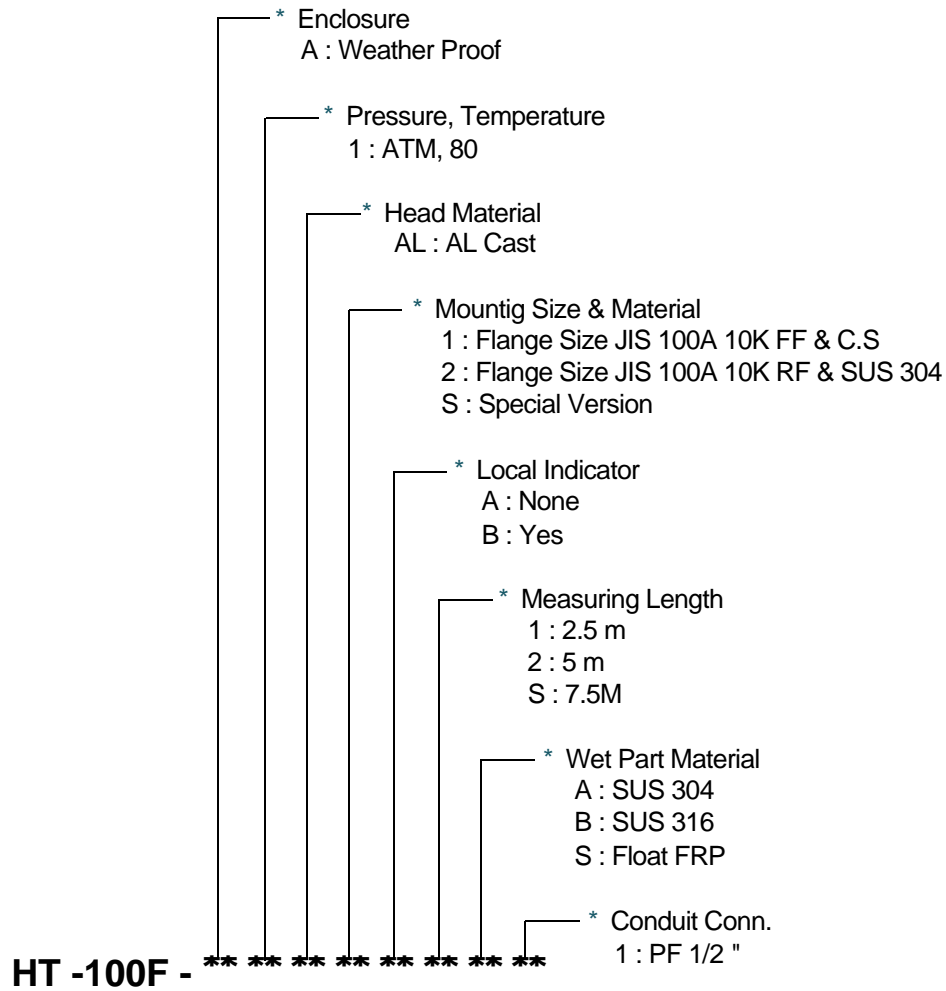


- 1.
- 2. DC 24V
- 3. ZERO
 - 1) Cover 0
 - 2) 가 0% 4mA
 - 3) 가 ZERO 0% 4mA
- 4. SPAN
 - 1) Tank () (100%)
 - 2) 가 100% 20mA
 - 3) 가 SPAN 100% 20mA
- 5. 3 4 2-3



DC24V	0mA		
4mA			
0%	100%		
가	가	0%	
100%가	가	가0%	Constant Spring Measuring Wire

ORDER CODES



62-182

: (031) 943-0875~7

: (031) 943-0878

<http://www.hitrol.co.kr>

hitrol@hitrol.co.kr