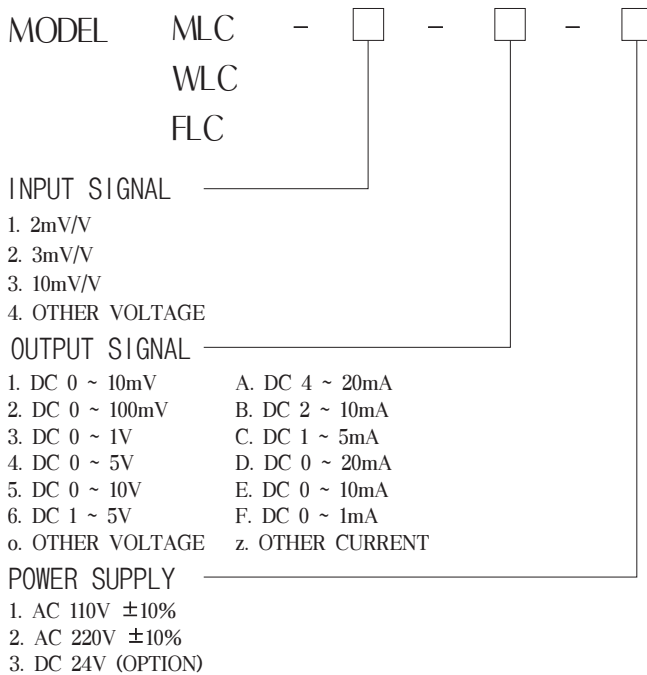


The load cell strain gauge converter Model MLC/WLC/FLC is used in conjunction with bridge type strain gauges utilized in load cells, pressure transducers, etc. It supplies the required excitation voltage and provides appropriate DC output signal. Can handle up to 4 load cells in parallel.



□ MODEL MLC(1 OUT)

□ MODEL WLC(2 OUT)

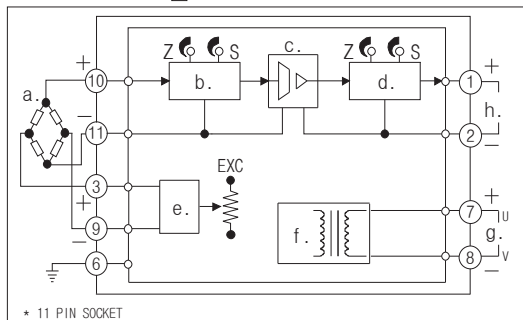


## SPECIFICATIONS

ITEM	SPECIFICATIONS
LOAD CELL TO BE COMBINED	BRIDGE RESISTANCE 80ohm OR MORE RATED OUTPUT VOLTAGE 2mV/V OTHERS
APPLIED VOLTAGE	DC 5V DC 12V
OUTPUT	DC VOLTAGE OR DC CURRENT SIGNAL
ACCURACY	±0.2% of F.S
REPEATIBILITY	±0.1% of F.S
RESPONSE TIME	LESS THAN 0.5sec(0 ~ 90%)
INSULATION RESISTANCE	GREATER THAN 100M ohm (DC 500V)
DIELECTRIC STRENGTH	INPUT-POWER AC 1000V INPUT-OUTPUT AC 1000V ( 1 MIN ) INPUT-GND AC 1000V
AMBIENT TEMPERATURE	-5 ~ +60 °C
HUMIDITY	LESS THAN 90% RH

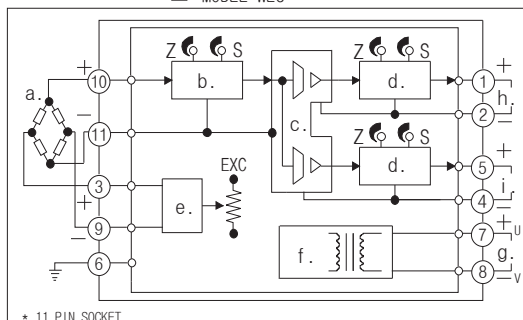
## BLOCK DIAGRAM & CONNECTIONS

□ MODEL MLC



- a. STRAIN GAUGE
- b. LOW DRIFT AMPLIFIER
- c. ISOLATION
- d. OUTPUT DRIVER
- e. LOW DRIFT DC VOLTAGE STABILIZER
- f. POWER
- g. POWER SOURCE
- h. OUTPUT 1
- i. OUTPUT 2
- j. OUTPUT 3
- k. OUTPUT 4
- l. OUTPUT 5

□ MODEL WLC



□ MODEL FLC

