



# RTD ISOLATION CONVERTER MRS/WRS/FRS SERIES

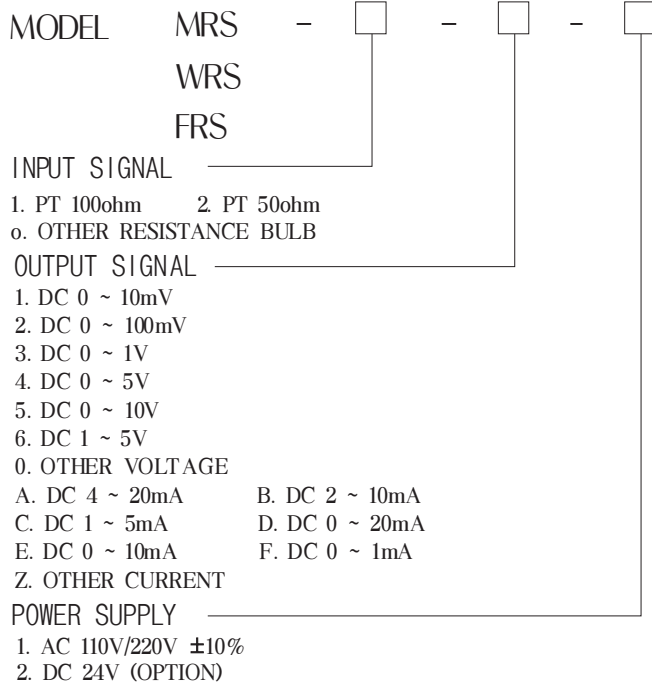
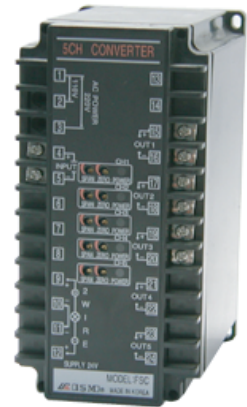
The RTD isolation converter Model MRS/WRS/FRS accepts 3-wire RTD inputs and provides isolated, linearized DC output. It features a standard: downscale or no burnout protection.



□ MODEL MRS(1 OUT)



□ MODEL WRS(2 OUT)

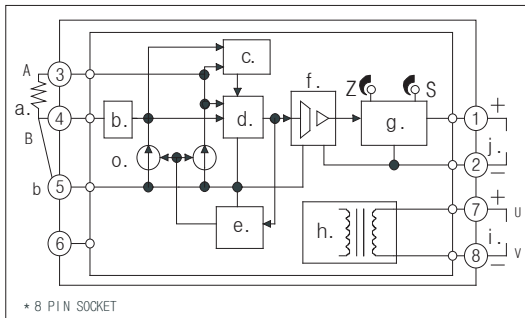


## SPECIFICATION

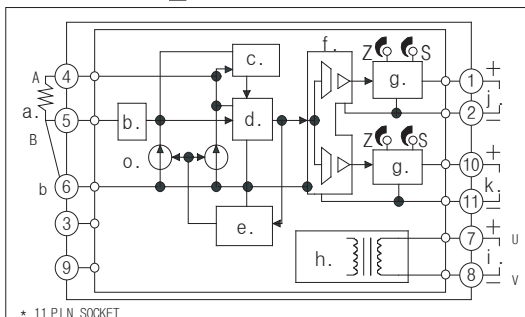
ITEM	SPECIFICATIONS
INPUT	PT 100ohm 3 WIRE PT 50ohm 3 WIRE CURRENT TO PT BULB(2mA)
OUTPUT	DC VOLTAGE OR DC CURRENT SIGNAL
ACCURACY	±0.2% of F.S
OUTPUT RATING	±0.1% of F.S
RESPONSE TIME	±0.1% of F.S
RESPONSE TIME	LESS THAN 0.5sec(0 ~ 90%)
INSULATION RESISTANCE	GREATER THAN 100Mohm (DC 500V)
DIELECTRIC STRENGTH	INPUT-POWER AC 1000V INPUT-OUTPUT AC 1000V ( 1 MIN ) INPUT-GND AC 1000V
AMBIENT TEMPERATURE	-5 ~ +60°C
HUMIDITY	LESS THAN 90% RH

## BLOCK DIAGRAM & CONNECTIONS

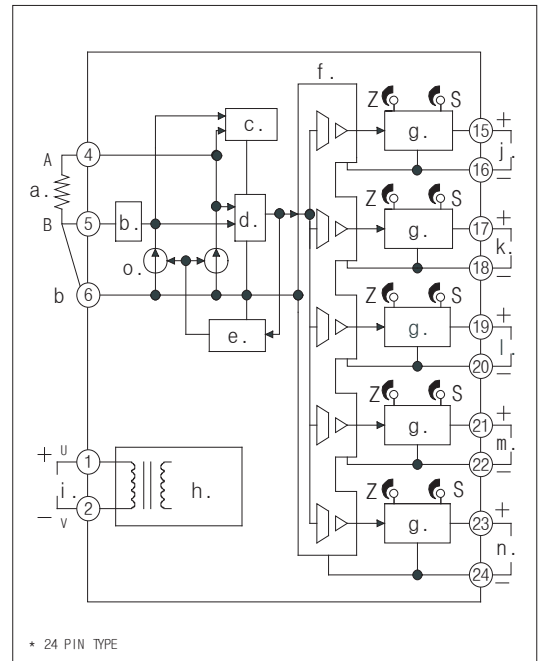
□ MODEL MRS



□ MODEL WRS



□ MODEL FRS



- a. RTD
- b. REFERENCE RESISTOR
- c. BURNOUT
- d. DIFFERENTIAL AMPLIFIER
- e. LINEARIZER
- f. ISOLATION
- g. OUTPUT DRIVER
- h. POWER
- i. POWER SOURCE
- j. OUTPUT 1
- k. OUTPUT 2
- l. OUTPUT 3
- m. OUTPUT 4
- n. OUTPUT 5
- o. CONSTANT CURRENT