



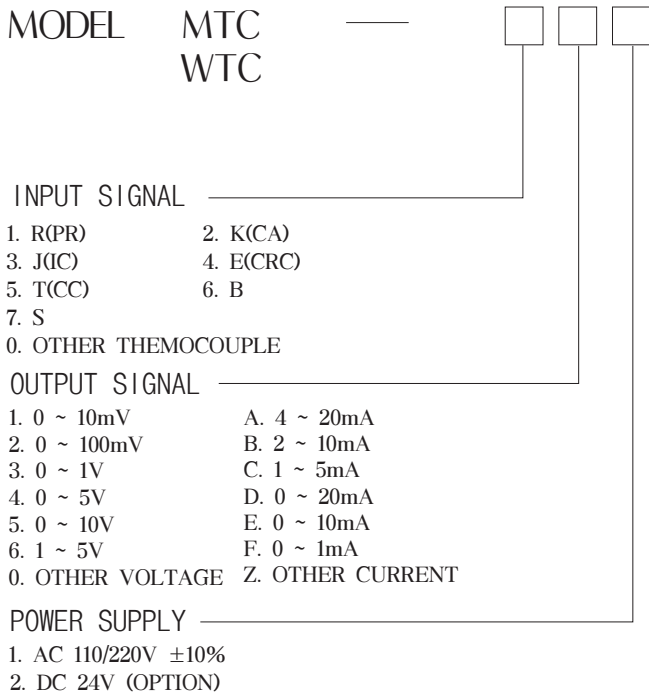
THERMOCOUPLE CONVERTER MTC/WTC SERIES

The thermocouple converter Model MTC/WTC/FTC accepts standard thermocouples and provides an isolated, linearized DC output.



● MODEL : MTC (10UT)

● MODEL : WTC (20UT)

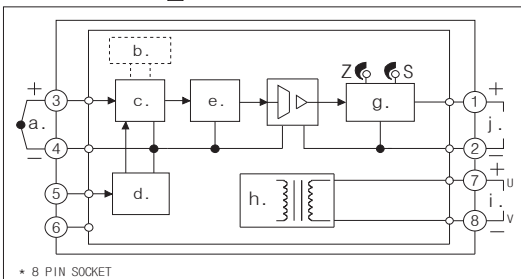


SPECIFICATIONS

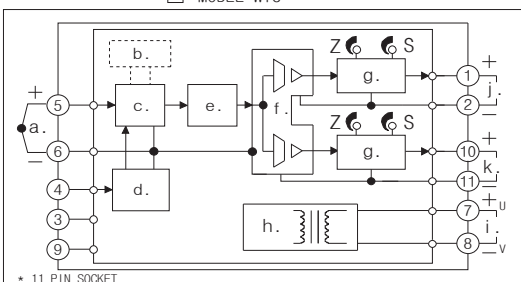
ITEM	SPECIFICATIONS
INPUT	THERMOCOUPLE (K, J, E, T, B, R, S)
OUTPUT	DC VOLTAGE OR DC CURRENT SIGNAL
ACCURACY	±0.2% of F.S
LINEARITY	±0.1% of F.S
REPEATABILITY	±0.1% of F.S
RESPONSE TIME	LESS THAN 0.5sec(0 ~ 90%)
INSULATION RESISTANCE	GREATER THAN 100M ohm (DC 500V)
DIELECTRIC STRENGTH	INPUT-POWER AC 1000V INPUT-OUTPUT AC 1000V (1 MIN) INPUT-GND AC 1000V
AMBIENT TEMPERATURE	-5 ~ 60°C
HUMIDITY	LESS THAN 90% RH

BLOCK DIAGRAM & CONNECTIONS

MODEL MTC

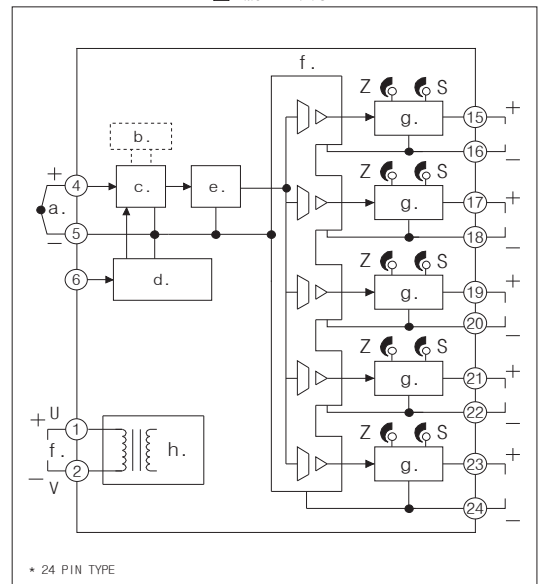


MODEL WTC



- a. INPUT
- b. CJC SENSOR
- c. LOW DRIFT AMPLIFIER
- d. CJC SENSING VOLTAGE GENERATOR
- e. LINEARIZE
- f. ISOLATION
- g. OUTPUT DRIVER
- h. POWER
- i. POWER SOURCE
- j. OUTPUT 1
- k. OUTPUT 2
- k. OUTPUT 3
- k. OUTPUT 4
- k. OUTPUT 5

MODEL FTC



GENERAL SPECIFICATIONS

Construction : plug-in(MDR,WDR)
wall mounting(FDR)

Housing material : ABS plastic(black)

Adjustments : zero and span ; $\pm 5\%$

INSTALLATION

DC : 24V $\pm 10\%$, 100mA(ripple 10% p-p max)

AC : rating(100 ~ 240V) $\pm 10\%$, 50/60Hz 4VA

Mounting : wall or DIN rail

INPUT SIGNAL SPECIFICATIONS

Range : $-200 \sim 1750^\circ\text{C}$

Input impedance : 1Mohm or more

Burnout sensing : $0.1\mu\text{A}$

Coldjunction temp range : $0 \sim 60^\circ\text{C}$

OUTPUT SIGNAL SPECIFICATIONS

Output voltage : 12V DC max

Output current : 30mA DC max

DC voltage

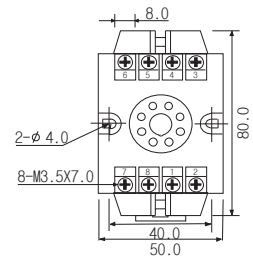
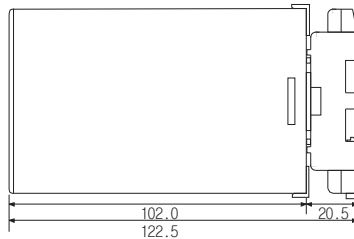
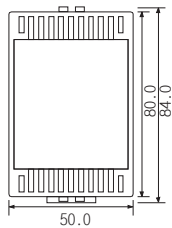
OUTPUT	LOAD RESISTANCE	IMPEDANCE
0-10mV	10K Ω or more	10 Ω or less
0-100mV	100K Ω or more	100 Ω or less
0-1V	1K Ω or more	1 Ω or less
0-10V	10K Ω or more	
0-5V	5K Ω or more	
1-5V		

DC current

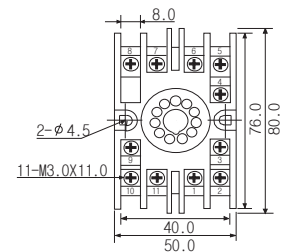
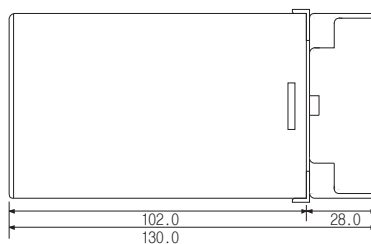
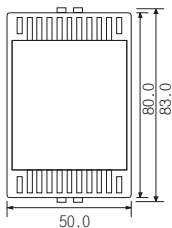
OUTPUT	LOAD RESISTANCE	IMPEDANCE
4-20mA	0 - 600 Ω	5M Ω or more
2-10mA	0 - 1200 Ω	
1-5mA	0 - 2400 Ω	
0-20mA	0 - 600 Ω	
0-16mA	0 - 750 Ω	
0-10mA	0 - 1200 Ω	
0-1mA	0 - 12K Ω	

EXTERNAL DIMENSION, TERMINAL ARRANGEMENT

8 PIN SOCKET DIMENSIONS



11 PIN SOCKET DIMENSIONS



F-TYPE DIMENSIONS (24 PIN)

